



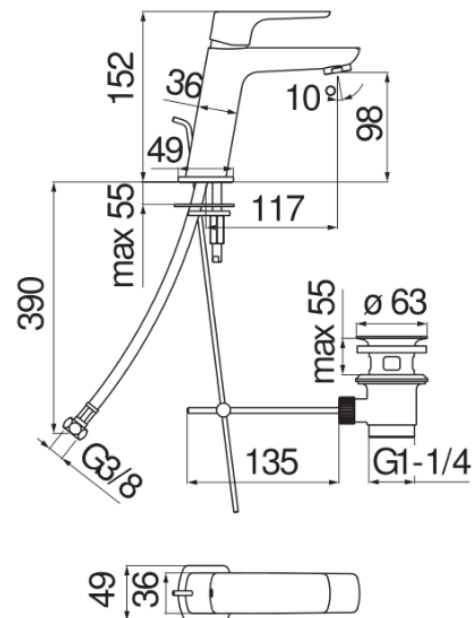
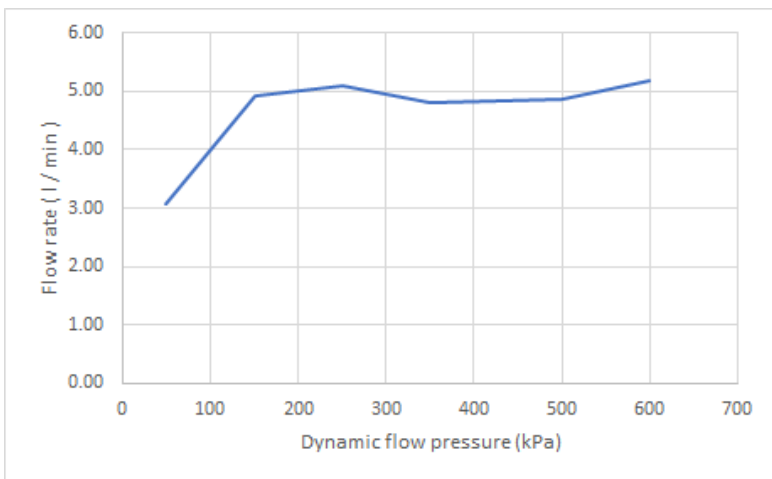
PROJECT		REF		REV	ITEM CODE	
LOCATION		DATE			PAGE	

SANITARY WARE SPECIFICATION SHEET

Item Descriptions	Nobili (Italy) "Acquaviva" Chrome plated single lever basin mixer with 32mm waste; "100% made in Italy"; nominated flow rate 4.9 L/min in WELS Grade 1; Registration No. TM 18-0200	Illustration/ Drawing
Standard	QAVR (Italy)	
Dimensions	L117 x W49 x H152 mm	
Model	VV103118/1 CR (Mixer) 40.2051.00001 (Aerator)	
Finish	Chrome Plated	
Manufacturer	Nobili (Italy)	
Source	Acme Sanitary Ware Co. Ltd Mr. Eric Wong/ Mr. Don Yuen	
Contact Tel/Fax	(852) 2388-7171 / (852) 2710-8012	
E-mail	acme@acmesanitary.com.hk	
Website	www.acmesanitary.com.hk	

SPECIFICATIONS

- Single control
- Chrome
- Anti limescale aerator M 24 x 1
- 1 1/4" waste with patented SNAP system
- ø 3/8" stainless steel flexible pipe
- 50% two step cartridge for water saving



* All information of the above is for the reference only. No prior notice is made if any changes.

註冊號碼 (Registration No.): TM 18-0200



自願參與用水效益標籤計劃 - 水龍頭
Voluntary Water Efficiency Labelling Scheme - Water Taps




茲證明

This is to certify that

Acme Sanitary Ware Co. Ltd.

將下列水龍頭在本計劃內註冊：
has registered the following water tap under this scheme :

牌子 / Brand	:	NOBILI
型號 / Model	:	VV103118/1 CR + 40.2051.00001
種類 / Type	:	Mixing
原產地 / Country or Region Origin	:	Italy

在用水效益標籤上展示的標誌 <i>Symbolic Presentation on the Water Efficiency Label</i>	:		滴水點 <i>Water droplet(s)</i>
用水效益級別 <i>Water Efficiency Grade</i>	:	1	
耗水量 <i>Water Consumption</i>	:	4.9	公升/分鐘 <i>litres/minute</i>

簽發日期：
Date of Issue: 6 August 2018

 水務署
Water Supplies Department



水務署署長(鍾兆榮代行)
for Director of Water Supplies



Department

入境事務大樓 48 樓
Lower, 7 Gloucester Road, Wan Chai, Hong Kong

本署檔號 : (6) in WSD 3321/2020 T/J(1558/2020)
Our ref.
來函檔號 :
Your ref.

電話 :
Tel.
傳真 : 2824 0578
Fax.

26 January 2021

Acme Sanitary Ware Co. Ltd.
1/F, Acme Building,
22-28 Nanking Street,
Kowloon, Hong Kong


(Attn.: Mr Perry CHOW)

Dear Sir,

Approval of "NOBILI" Basin Mixer (General Acceptance No. C20210068)

Your letters ref. L030/2020, L034/2020 and L003/2021 dated 27 November 2020, 23 December 2020 and 8 January 2021 respectively refer.

Having considered the test report ref. J25713 issued on 11 November 2020 by Nutek Systems (HK) Ltd., this Authority accepts that the fitting described below complies with, and its use when correctly installed does not contravene, the Waterworks Ordinance and Regulations.

Name of Manufacturer: Carlo Nobili SpA Rubinetterie
Country of Origin: Italy
Brand: Nobili
Details of Fitting: 3/8" Single lever basin mixer
Model: VV103118/1XX
(where "XX" denotes the code of colour finishes)
Body Markings: **NOBILI** 
Expiry Date: 26 October 2025



This Authority hereby permits the use of the above fitting in fresh water plumbing systems subject to full adherence to Waterworks installation requirements. In particular, you are required to draw your customers' attention to the following requirement-

"The cold water supply to the fitting shall be drawn from the same source that supplies the hot water apparatus so as to provide a balanced pressure and to obviate the risk of scalding in the event of a restriction or failure in the water supply."

A condition of this acceptance is that the fitting to be installed shall be replicas of the sample as certified by the testing agent mentioned above and without modifications. This acceptance may be withdrawn at any time if the standard of the fitting installed fails to meet that of the approved sample or if the fitting is found to be unsuitable for use in fresh water plumbing systems.

This acceptance is only applicable to the main body of the fitting, unless otherwise specified.

For the use of the fitting in any project, the General Acceptance Number of this letter must be quoted as a means of identification of acceptance of the fitting by this Authority.

Should you have any enquiries, please contact our Engineer Mr. Terry KUNG at tel. no. 3583 4086.

Yours faithfully,



(CHAN Chung-kun)

for Director of Water Supplies

Encl.

c.c. WSD 3321/1/82] - without catalogue
 ME/MC] - with soft copy only